

NVR-S3 Series



Key Features

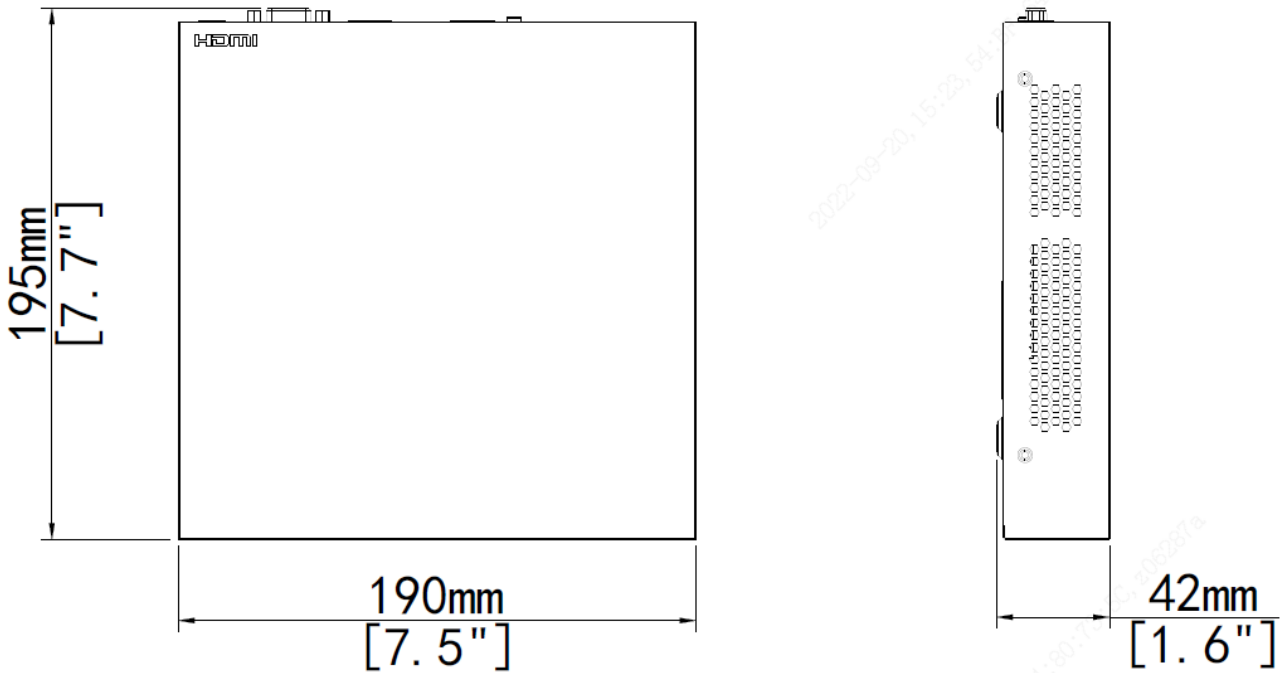
- Support Ultra 265/H.265/H.264 video formats
- 6/10/16-channel input
- Third-party IP cameras supported with ONVIF conformance: Profile S, Profile G, Profile T
- Support 1-ch HDMI, 1-ch VGA
- HDMI and VGA simultaneous output
- Up to 6MP resolution recording
- 1 SATA HDD up to 6TB
- Support cloud upgrade

Specifications

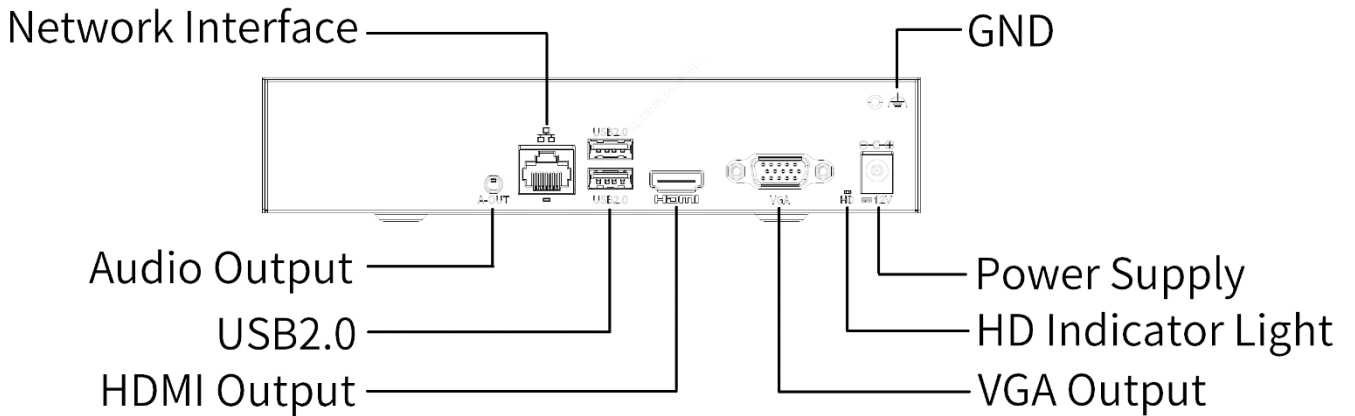
Model	NVR-106S3	NVR-110S3	NVR-116S3
Video/Audio Input			
IP Video Input	6-ch	10-ch	16-ch
Network			
Incoming Bandwidth	64Mbps		
Outgoing Bandwidth	48Mbps		
Remote Users	128		
Protocols	TCP/IP, P2P, UPnP, DHCP, HTTP, HTTPS, DNS, DDNS, SMTP		
Video/Audio Output			
HDMI/VGA Output	HDMI: 1920x1080/60Hz, 1920x1080/50Hz, 1600x1200/60Hz, 1280x1024/60Hz, 1280x720/60Hz, 1024x768/60Hz VGA: 1920x1080/60Hz, 1920x1080/50Hz, 1600x1200/60Hz, 1280x1024/60Hz, 1280x720/60Hz, 1024x768/60Hz		
Audio Output	1-ch, 3.5mm		
Recording Resolution	6MP/5MP/4MP/3MP/1080P/960P/720P/960H/D1/2CIF/CIF		

Synchronous Playback	6-ch	10-ch	16-ch
Corridor Mode Screen	3/4/5/7	3/4/5/7/9/10	3/4/5/7/9/10/12/16
Decoding			
Decoding format	Ultra 265/H.265/H.264		
Live view/Playback	6MP/5MP/4MP/3MP/1080P/960P/720P/960H/D1/2CIF/CIF		
Capability	1 x 6MP@30, 1 x 5MP@30, 2 x 4MP@30, 2 x 3MP@30, 4 x 1080p@30, 8 x 720p@30, 16 x D1@25		
Hard Disk			
SATA	1 SATA interface		
Capacity	Up to 6TB for each disk		
Smart			
VCA Detection by Camera	Intrusion Detection, Cross Line Detection, Enter Area, Leave Area, Audio Detection, Auto Tracking		
VCA Search	Behavior Search		
Smart Intrusion Prevention (SIP) by Camera	4-ch(supports channel 1-4; Alarm only, no image)		
General Alarm			
General Alarm	Motion, Human Body Detection, Video Loss, Alarm Input		
Alert Alarm	IP Conflict, Network Disconnected, Disk Offline , Disk Abnormal, Illegal Access		
External Interface			
Network Interface	1 RJ45 10M/100M self-adaptive Ethernet Interface		
USB Interface	Rear panel: 2 x USB2.0		
RS232	NA		
RS485	NA		
Alarm In	NA		
Alarm Out	NA		
General			
Power Supply	12V DC/2A Power Consumption: ≤7 W (without HDD)		
Working Environment	-10°C ~ + 55°C (+14°F ~ +131°F), Humidity ≤ 90% RH (non-condensing)		
Dimensions (W×D×H)	190mm × 195mm × 42mm (7.5" × 7.7" × 1.6")		
Weight (without HDD)	≤1.0kg (2.20 lb)		
Certification			
Certification	CE FCC WEEE		

Dimensions



Rear Panel



www.uniview.com/uniarch

©2022 Zhejiang Uniview Technologies Co., Ltd. All rights reserved.

*Product specifications and availability are subject to change without notice.