

EN SensoIRIS MiniOUT - Mini Module with 1 Output

Technical Specifications

Operating voltage	15 + 32V DC
Max. current consumption	0.1mA
Relay ratings	0.25A/24V AC; 2A/30V DC
Relay rated current	2A
Relay max. switching current	5A
Relay switching power	60W, 62.5VA
Protection (with enclosure box)	IP30
Relative humidity resistance	(93±3)%@+40°C
Max. cross section of the cables	2.5mm ²
Dimensions (PCB)	43x25mm
Weight (PCB only)	~20g
Mounting	Indoor use



18021254; RevA; 03/2023

General Description

Attention! SensoIRIS MiniOUT addressable module must be connected only to fire panels, which support operation via TTE communication protocol!

SensoIRIS MiniOUT is a compact addressable module with one unmonitored output. The module is designed for built-in installation in the mounting box of the device (PCB only); or it can be situated into small plastic box for wall mounting. SensoIRIS MiniOUT is powered on from the fire panel and can be controlled via the communication protocol.

The unmonitored relay output is suitable to control of 24V AC voltage circuits. The output terminals are wired with color cables for easy recognition during the module's installation. The current software version (SW) and the unique identification number (ID) of the device can be reviewed from the panel's menus with at access level 3. Enter in SYSTEM-PROGRAMMING-DEVICES-LOOP and find the address number of the mini module, then press MORE button.

SensoIRIS MiniOUT complies with the requirements of EN54-18.

Installation

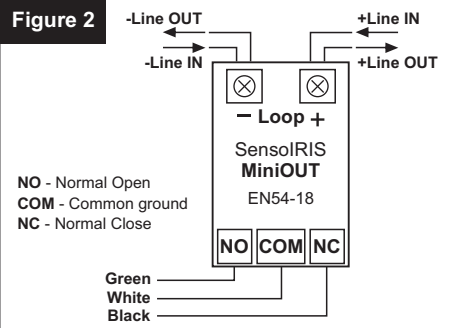
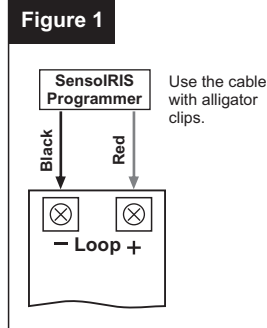
Attention: Power off the loop circuit before installing the SensoIRIS MiniOUT addressable module!

1. Set the module address using SensoIRIS Programmer (Figure 1) or directly from the addressable fire alarm panel. The address must be in the range from 1 to 250.
2. Connect the wires of the communication line to the modules' terminals and the wires of the relay output according the connection diagram on Figure 2.
3. Test the module for proper operation.

Programming

The activation of the unmonitored output of SensoIRIS MiniOUT, could be programmed according the type of the application. The possible options for programming from the fire alarm panel are listed in the device menu:

- **OUTPUT** - Operation as general output. You have to program its activation and configuration in the OUTPUTS menu of the fire alarm panel.
- **ALARM** - Activation in case of fire alarm event in the system.
- **EVACUATE** - Activation in case of evacuation event in the system.
- **RESET** - Activation in case of reset command.
- **SOUNDERS MODE** - Operation as an addressable sounder. This option is useful for applications when a conventional sounder is connected to the output.



EN SensoIRIS MiniOUT - Mini Module with 1 Output

Technical Specifications

Operating voltage	15 + 32V DC
Max. current consumption	0.1mA
Relay ratings	0.25A/24V AC; 2A/30V DC
Relay rated current	2A
Relay max. switching current	5A
Relay switching power	60W, 62.5VA
Protection (with enclosure box)	IP30
Relative humidity resistance	(93±3)%@+40°C
Max. cross section of the cables	2.5mm ²
Dimensions (PCB)	43x25mm
Weight (PCB only)	~20g
Mounting	Indoor use



18021254; RevA; 03/2023

General Description

Attention! SensoIRIS MiniOUT addressable module must be connected only to fire panels, which support operation via TTE communication protocol!

SensoIRIS MiniOUT is a compact addressable module with one unmonitored output. The module is designed for built-in installation in the mounting box of the device (PCB only); or it can be situated into small plastic box for wall mounting. SensoIRIS MiniOUT is powered on from the fire panel and can be controlled via the communication protocol.

The unmonitored relay output is suitable to control of 24V AC voltage circuits. The output terminals are wired with color cables for easy recognition during the module's installation. The current software version (SW) and the unique identification number (ID) of the device can be reviewed from the panel's menus with at access level 3. Enter in SYSTEM-PROGRAMMING-DEVICES-LOOP and find the address number of the mini module, then press MORE button.

SensoIRIS MiniOUT complies with the requirements of EN54-18.

Installation

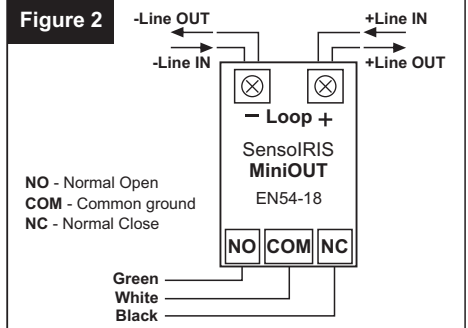
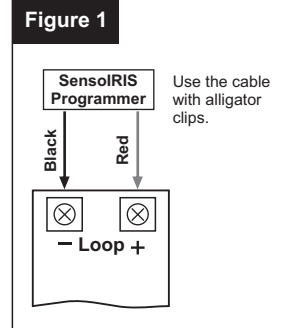
Attention: Power off the loop circuit before installing the SensoIRIS MiniOUT addressable module!

1. Set the module address using SensoIRIS Programmer (Figure 1) or directly from the addressable fire alarm panel. The address must be in the range from 1 to 250.
2. Connect the wires of the communication line to the modules' terminals and the wires of the relay output according the connection diagram on Figure 2.
3. Test the module for proper operation.

Programming

The activation of the unmonitored output of SensoIRIS MiniOUT, could be programmed according the type of the application. The possible options for programming from the fire alarm panel are listed in the device menu:

- **OUTPUT** - Operation as general output. You have to program its activation and configuration in the OUTPUTS menu of the fire alarm panel.
- **ALARM** - Activation in case of fire alarm event in the system.
- **EVACUATE** - Activation in case of evacuation event in the system.
- **RESET** - Activation in case of reset command.
- **SOUNDERS MODE** - Operation as an addressable sounder. This option is useful for applications when a conventional sounder is connected to the output.



EN SensoIRIS MiniOUT - Mini Module with 1 Output

Technical Specifications

Operating voltage	15 + 32V DC
Max. current consumption	0.1mA
Relay ratings	0.25A/24V AC; 2A/30V DC
Relay rated current	2A
Relay max. switching current	5A
Relay switching power	60W, 62.5VA
Protection (with enclosure box)	IP30
Relative humidity resistance	(93±3)%@+40°C
Max. cross section of the cables	2.5mm ²
Dimensions (PCB)	43x25mm
Weight (PCB only)	~20g
Mounting	Indoor use



18021254; RevA; 03/2023

General Description

Attention! SensoIRIS MiniOUT addressable module must be connected only to fire panels, which support operation via TTE communication protocol!

SensoIRIS MiniOUT is a compact addressable module with one unmonitored output. The module is designed for built-in installation in the mounting box of the device (PCB only); or it can be situated into small plastic box for wall mounting. SensoIRIS MiniOUT is powered on from the fire panel and can be controlled via the communication protocol.

The unmonitored relay output is suitable to control of 24V AC voltage circuits. The output terminals are wired with color cables for easy recognition during the module's installation. The current software version (SW) and the unique identification number (ID) of the device can be reviewed from the panel's menus with at access level 3. Enter in SYSTEM-PROGRAMMING-DEVICES-LOOP and find the address number of the mini module, then press MORE button.

SensoIRIS MiniOUT complies with the requirements of EN54-18.

Installation

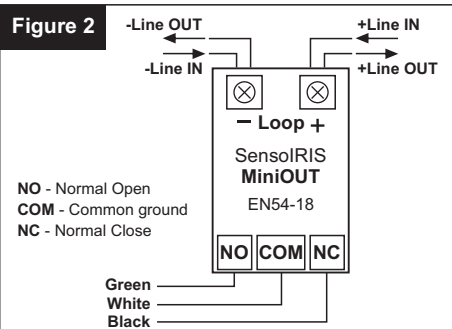
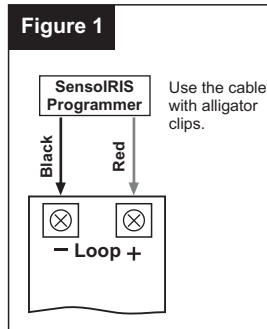
Attention: Power off the loop circuit before installing the SensoIRIS MiniOUT addressable module!

1. Set the module address using SensoIRIS Programmer (Figure 1) or directly from the addressable fire alarm panel. The address must be in the range from 1 to 250.
2. Connect the wires of the communication line to the modules' terminals and the wires of the relay output according the connection diagram on Figure 2.
3. Test the module for proper operation.

Programming

The activation of the unmonitored output of SensoIRIS MiniOUT, could be programmed according the type of the application. The possible options for programming from the fire alarm panel are listed in the device menu:

- **OUTPUT** - Operation as general output. You have to program its activation and configuration in the OUTPUTS menu of the fire alarm panel.
- **ALARM** - Activation in case of fire alarm event in the system.
- **EVACUATE** - Activation in case of evacuation event in the system.
- **RESET** - Activation in case of reset command.
- **SOUNDERS MODE** - Operation as an addressable sounder. This option is useful for applications when a conventional sounder is connected to the output.



EN SensoIRIS MiniOUT - Mini Module with 1 Output

Technical Specifications

Operating voltage	15 + 32V DC
Max. current consumption	0.1mA
Relay ratings	0.25A/24V AC; 2A/30V DC
Relay rated current	2A
Relay max. switching current	5A
Relay switching power	60W, 62.5VA
Protection (with enclosure box)	IP30
Relative humidity resistance	(93±3)%@+40°C
Max. cross section of the cables	2.5mm ²
Dimensions (PCB)	43x25mm
Weight (PCB only)	~20g
Mounting	Indoor use



18021254; RevA; 03/2023

General Description

Attention! SensoIRIS MiniOUT addressable module must be connected only to fire panels, which support operation via TTE communication protocol!

SensoIRIS MiniOUT is a compact addressable module with one unmonitored output. The module is designed for built-in installation in the mounting box of the device (PCB only); or it can be situated into small plastic box for wall mounting. SensoIRIS MiniOUT is powered on from the fire panel and can be controlled via the communication protocol.

The unmonitored relay output is suitable to control of 24V AC voltage circuits. The output terminals are wired with color cables for easy recognition during the module's installation. The current software version (SW) and the unique identification number (ID) of the device can be reviewed from the panel's menus with at access level 3. Enter in SYSTEM-PROGRAMMING-DEVICES-LOOP and find the address number of the mini module, then press MORE button.

SensoIRIS MiniOUT complies with the requirements of EN54-18.

Installation

Attention: Power off the loop circuit before installing the SensoIRIS MiniOUT addressable module!

1. Set the module address using SensoIRIS Programmer (Figure 1) or directly from the addressable fire alarm panel. The address must be in the range from 1 to 250.
2. Connect the wires of the communication line to the modules' terminals and the wires of the relay output according the connection diagram on Figure 2.
3. Test the module for proper operation.

Programming

The activation of the unmonitored output of SensoIRIS MiniOUT, could be programmed according the type of the application. The possible options for programming from the fire alarm panel are listed in the device menu:

- **OUTPUT** - Operation as general output. You have to program its activation and configuration in the OUTPUTS menu of the fire alarm panel.
- **ALARM** - Activation in case of fire alarm event in the system.
- **EVACUATE** - Activation in case of evacuation event in the system.
- **RESET** - Activation in case of reset command.
- **SOUNDERS MODE** - Operation as an addressable sounder. This option is useful for applications when a conventional sounder is connected to the output.

