

Emergency bulkhead

Data sheet

For Series: OT-OLB3S Self test series



OTC IND CO., LTD

TEL / Whatsapp: 0086-18057537996 | Website: www.otcenterprise.com | Email: info@otcind.net



Dear partners,

* Thanks for Choosing OTC emergency lamp for your projects.

OTC always pursue high quality, steady quality products, competitive price and one-stop customer service, and offer enjoyable installation experience.

* All the OTC bulkheads with 5 years quality guarantee . If any doubts/ questions, please contact OTC project support team directly by email support@otcind.net . You will get solutions in 7~24 hours rapidly.

Contents

1 Security realated information	2
2 Packing list	2
3 Basic Parameters	3
4 General construction	4
5 Maintained & non-maintained changeover	5
6 Emergency function	6
7 Self & remote test system	7
8 Emergency controll logic	8
9 Installation guide	9
11 Cheap solutions DIY	11
10 EM inspection record table	10

1 Security related information

- Installation should be carried out in accordance with the latest edition of the I.E.E. Wiring regulations and taking into consideration the latest building regulations.
- Ensure that all electrical connections are tight with no loose strands, including factory made connections.
- Ensure there is adequate free air circulation of at least 100mm around the luminaire. It is the installer's responsibility to consider fire risk and take appropriate precautions.
- A separate enclosure may be required if this unit is to be used in dusty and wet environments.

Q.C. date label, installation in an improper working environment or installation not according to the current edition of the I.E.E. Wiring Regulations . The guarantee is also invalidated if the luminaire has been I.R. tested. Should this product fail during the guarantee period it will be replaced free of charge, subject to correct installation and return of the faulty unit. We do not accept responsibility for any installation costs associated with the replacement of this product. Your statutory rights are not affected. We reserve the right to alter specifications without prior notice.

2 Packing list



The Lamp *1



Installation pack *1



The Legend *1 set



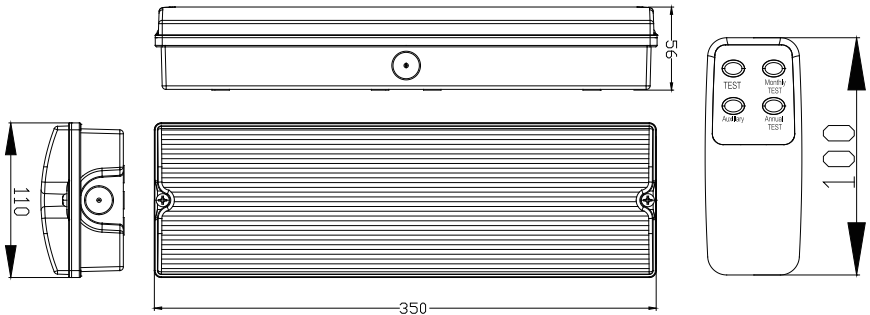
User manual *1



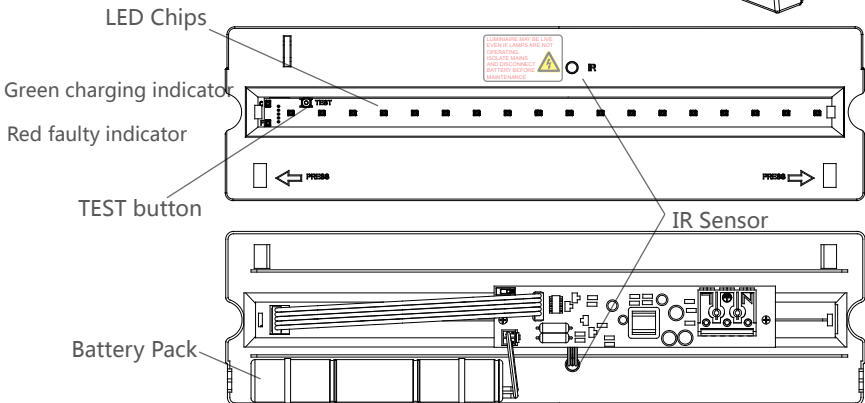
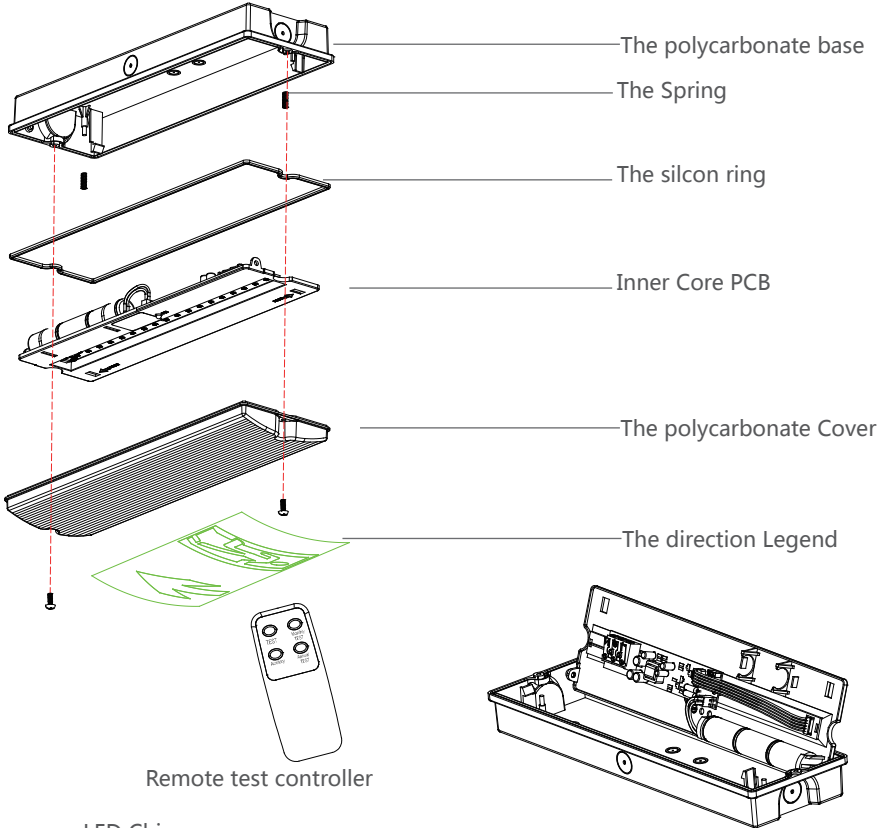
Remote cotroller *1

3 Basic Parameters

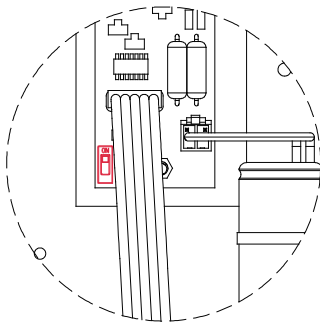
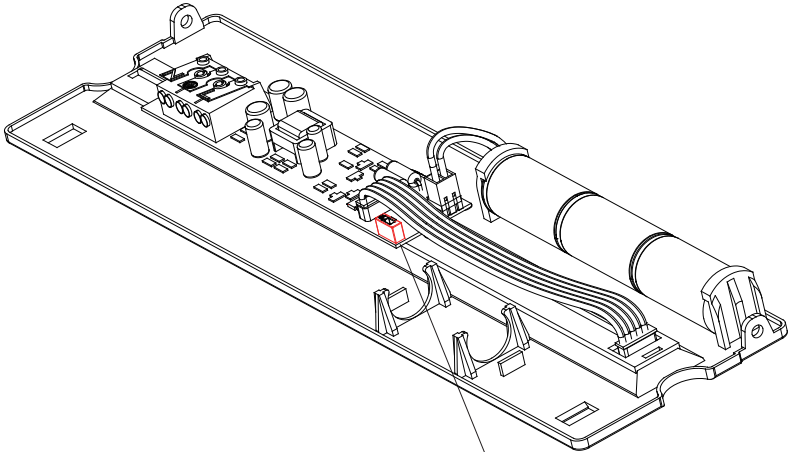
Model	Art Nr. OT-OLB3S Self-test & remote Test series	
	18ST	18RST
Material	100% polycarbonate	
LED Chips	18pcs 2835	
Input Voltage	AC200-240V 50/60HZ	
Total Input Power	1.5W if non-maintained mode / 4.0W if maintained mode	
Luminous Flux In AC mode	OFF if non-maintained mode / 100Lm if maintained mode	
Luminous Flux In EM mode	120Lm	
Color Rendering Index	>80	
CCT	3000/4000/6000 available	
Battery pack	3.6V 1.2Ah Ni-Cd	
Degree of protection	IP65	
Power factor	0.5	
Warm up time	<0.1S	
LED lifespan	50,000 hrs	
Beam angle	120°	
Standard	60598-2-22:2021 & EN62034	
Standard of Legend	ISO7010 & ISO3864-1/4	
TEST	manual test + self-test	manual + self + remote test
Charging indicator	Green	
Faulty indicator	RED	
Guarantee	4 Years	



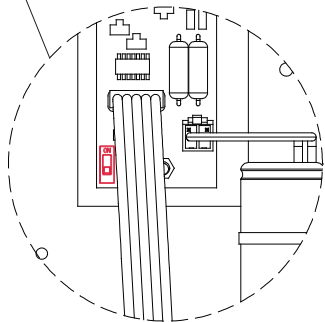
4 General construction



5 Maintained & non-maintained changeover



a) Maintained



b) Non-Maintained

Maintained & Non-maintained work mode

The OT-OLB3S series can work both in maintained and non-maintained mode.



a) Dip switch ON. It works in maintained mode;



b) Or it works in non-maintained mode.

6 Emergency function

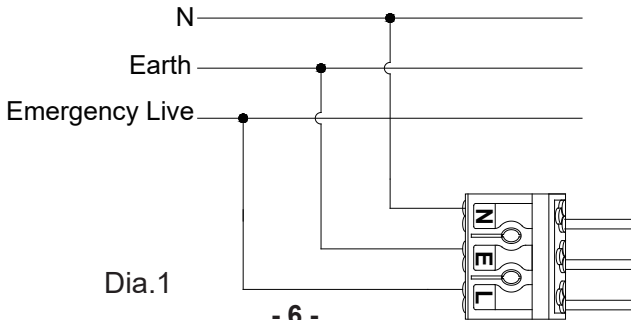
Emergency Technical Data	
Battery Type	Ni-CD 3,6V 1.2/1.8Ah
Battery Charging	60mA, Charging >90% in 24 hours
Discharging	200mA, >3hours autonomy time
Test Button	Included
Self-test	Included
Charging Indicator	Green LED
Faulty Indicator	RED LED
Remote test	Included
Standard	IEC60598-2-22:2021

ADDITIONAL INFORMATION - COMPONENT REPLACEMENT

- The luminaire contains no user replaceable components other than the battery pack contained in emergency versions.
- The battery has a 4 year service life provided it is operated and maintained by regular testing, as detailed in this Usermanual. Failure to maintain or change the battery may result in reduced duration in emergency mode.

Emergency function test before installation

1. Connect the AC cable according to the Dia 1. Keep the Switch Live off, and battery plugged on.
(The green charging indicator on, Faulty indicator off)
2. Press the test button, The charging indicator off, and emergency function actived
3. Unplugged the battery, charging indicator OFF, the faulty indicator flash in 1HZ.



7 Self & remote test system

7.1 Testing (If no failure)

7.1.1. Manual function test.

OT-OLBS18ST /18RST: Active the ④ test button.

OT-OLBS18RST: also can press “TEST” switch on controller.

- a) The ② Charging indicator OFF.
- b) The Emergency function ON.
- c) The test will cut off the mains

7.1.2 Monthly test.

OT-OLBS18ST /18RST: Active the ④ test button for 5 second;
 OT-OLBS18RST: also can press the “Monthly TEST” switch on controller;

Or OT-OLBS18ST /18RST: the lamp installed every 30 days.

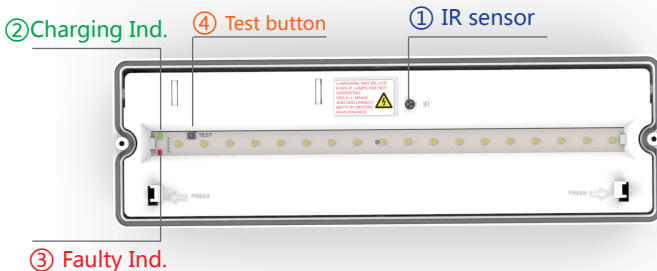
- a) The ② Charging indicator will flash in 1Hz for 128s;
- b) The Emergency function ON;

7.1.3 Annual test.

OT-OLBS18ST /18RST:Active the ④ test button for 7 second;
 OT-OLBS18RST: Also can press the “Annual TEST” switch on controller;

Or OT-OLBS18ST /18RST: the lamp installed every 180 days.

- a) The ② Charging indicator will flash in 2Hz for 3hours;
- b) The charging will be cut off & emergency function ON 3hours;
- c) The lamp back to standby mode after test.



Remote test controller

7.2 Testing (If any failure)











7.2.1 Battery failure:  Monitored constantly. The ③ faulty indicator will flash in 1 Hz if the battery failure any time.

7.2.2 LED load failure:  If press test button, or the luminary self-monthly test. The ③ faulty indicator will flash in 2 Hz if LED load failure.

7.2.3 Duration failure:  Only in Annual self-test. The ③ faulty indicator will turn on constantly if the Battery can not last 3 hours

8 Emergency control logic

The emergency function control logic

Operation	Charging indicator (Green)		Faulty Indicator (RED)		Emergency LED Maintained mode		Emergency LED Non-Maintained mode	
	1 Second	1 Second	1 Second	1 Second	1 Second	1 Second	1 Second	1 Second
Normal charging	Constantly on		OFF		Constantly on		OFF	
Normal AC Failure	OFF		OFF		Constantly on		Constantly on	
Manual test	OFF		OFF		Constantly on		Constantly on	
Monthly self-test			OFF		Constantly on		Constantly on	
Annual self-test					OFF		Constantly on	
Battery circuit failure	OFF				Constantly on		OFF	
Light source failure	Constantly on				OFF		OFF	
Duration test failure	Constantly on		Constantly on		Constantly on		OFF	



Before



After

No Key switch, No Harry, No ladders
Safe / Easy / Convenient

1. All OTC LED bulkheads are designed for projects. Only qualified electrician can install or maintain it.
2. The mains have to be off during the installation or maintenance.
3. Keep the product far from heat sources and in a well ventilated area.



Caution

	<ol style="list-style-type: none"> 1. Mains OFF 2. Knock out the cable hole. 3. Install the base on the wall . 	<p>STEP 1</p>
	<ol style="list-style-type: none"> 1. Fix power cable by M20 2. Connect the cable to driver. 3. Connect the battery pack 4. Chosee right work mode by dip switch 	<p>STEP 2</p>
	<ol style="list-style-type: none"> 1. Fix the middle plate 	<p>STEP 3</p>
	<ol style="list-style-type: none"> 1. Fix the diffuser. 2. Mains on and test the lamp 	<p>STEP 4</p>

10 EM inspection record table



Luminaire emergency inspection record

month	Test	First Year		Second Year		Third Year		Fourth Year		Fifth Year	
		Signed	Date	Signed	Date	Signed	Date	Signed	Date	Signed	Date
1	Functional										
2	Functional										
3	Functional										
4	Functional										
5	Functional										
6	1 hour										
7	Functional										
8	Functional										
9	Functional										
10	Functional										
11	Functional										
12	3 hours										

Installed By: Luminaire NO.:
 Installed Date:
 Luminaire Locaton: Contact details:

11 Cheap solution DIY



WARNING

1. All OTC emergency lights are designed according 60598-1 and 60598-2-22:2014 strictly. There is no trouble if you chose OTC products for bidding projects, including project acceptance, monthly, annual inspection.
2. If you only need sell it online/ install in your home & there is no professional project acceptance inspection, You can chose some cheaper solutions.

NO.	DIY Items	OTC default Solutions	Cheaper solutions	Dis-advantages
1	MOQ	No MOQ, 1pcs available	1000Pcs	
2	Material of Cover	PC Plastic	PS	IK09=>IK06 Not fire resist
3	Material of Base and middle	PC Plastic	ABS	IK09=>IK07 Not fire resist
4	Battery pack	3.6V 1.2Ah Ni-Cd	3.7V Li-ion	
5	Lumen output	Constant brightness	Bright at beginning Waker in the end	Can not IEC60598-2-22:2014, 22.17.1 compliant
6	Duration time	180mins	90mins or others	According local fire department requests
7	EM work mode	Non-Maintained and Maintained in one	Only Non-maintained	According to your request No Disadvantage
8	EM driver	Isolated	CBB solution	Can not IEC61347-2-7 compliant
9	Input terminal	Easy Pull in terminal	Screw Terminal	Can not wiring conveniently
10	Installation pack	Installation pack in Page2	No installation pack	

OTC only guarantee the EM function of luminaire if DIY !

Please check the request / standard with local fire department before making decision.